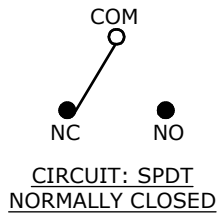


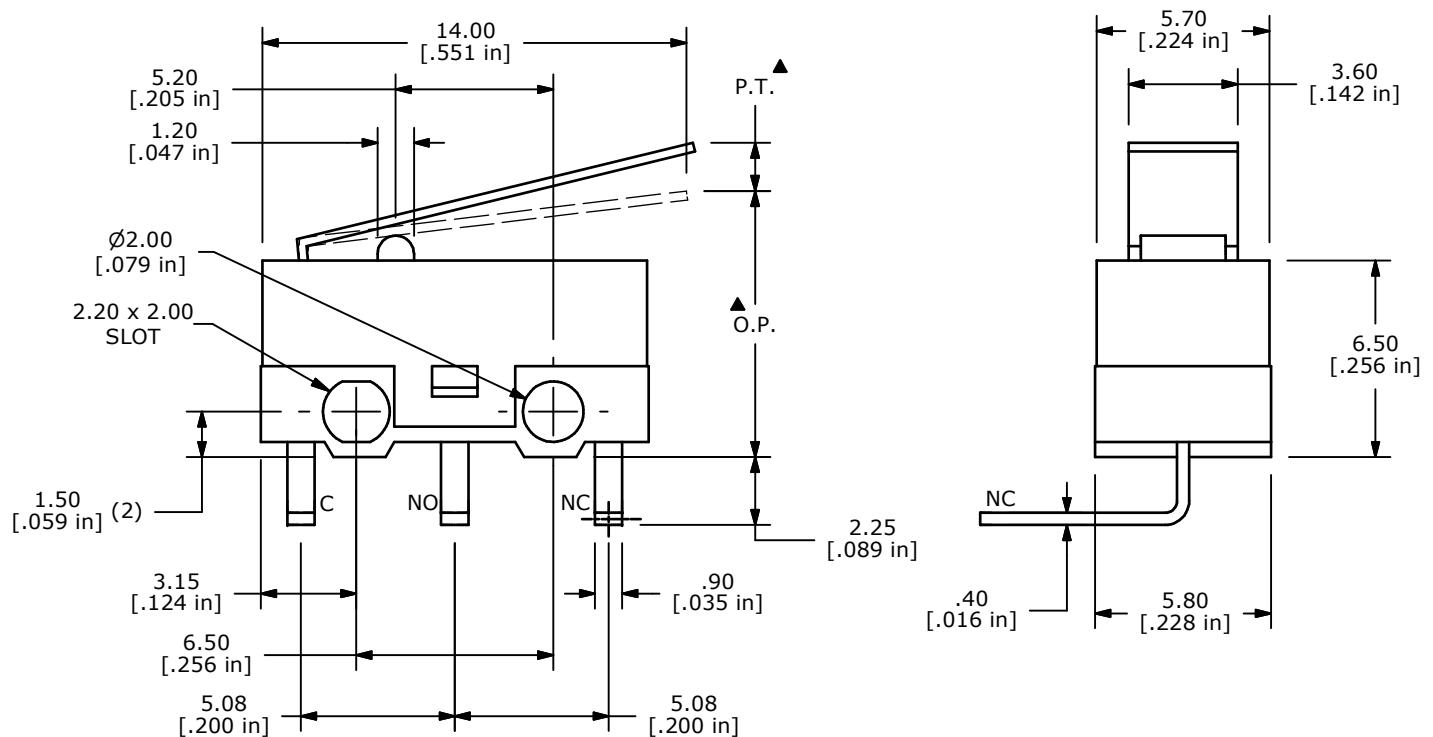
O.P. (MM)	P.T. (MM)
8.8 ± 0.8	1.6 Max.

O.P. = OPERATING POINT
P.T. = PRE-TRAVEL



NOTES:

- ALL DIMENSIONS IN MM [INCH]
- GENERAL TOLERANCE: X.X=± 0.4
X.XX=± 0.25
- RATING: 3A @125VAC
1.5A @250 VAC UL
- OPERATING FORCE: 40± 10 GRAMS
- OPERATING TEMP: -25°C TO 75°C
- ELECTRICAL LIFE: 10,000 CYCLES MIN.
- INSULATION RESISTANCE: 100 MEGA-OHMS MIN.
- DIELECTRIC STRENGTH: 500VAC - 1 MINUTE
- ▲ DENOTES CRITICAL PARAMETER.
- 2002/95/EC (ROHS) COMPLIANT
- PACKAGED IN TRAYS, 120 PIECES PER TRAY



A	20613	INITIAL RELEASE	05/30/12	drg
REV	PCR NO	DESCRIPTION	DATE	BY

TITLE SS0750301F040V1A				
SCALE	NONE	DATE	5/30/2012	DR
			drg	DWG
			Q971034	REV
				A

THE INFORMATION CONTAINED IN THIS DOCUMENT IS PROPRIETARY TO E-SWITCH AND IS NOT TO BE COPIED OR TRANSFERRED